

Triple Toss Funnel Goal - 3½" Galvanized Post • Model TRT-05

INSTALLATION GUIDELINE

USER GROUP: 2-5 Years, 5-12 Years

RECOMMENDED CREW: 1 Person

TOOLS REQUIRED:

- TT-30 Torx (Included)
- Level, Square
- Auger / Post Hole Digger / Shovel
- Drill Bits: None
- High Speed 3/8" Electric Drill with Clutch

NOTE: Use of any other driver may result in damage to tool and/or hardware!

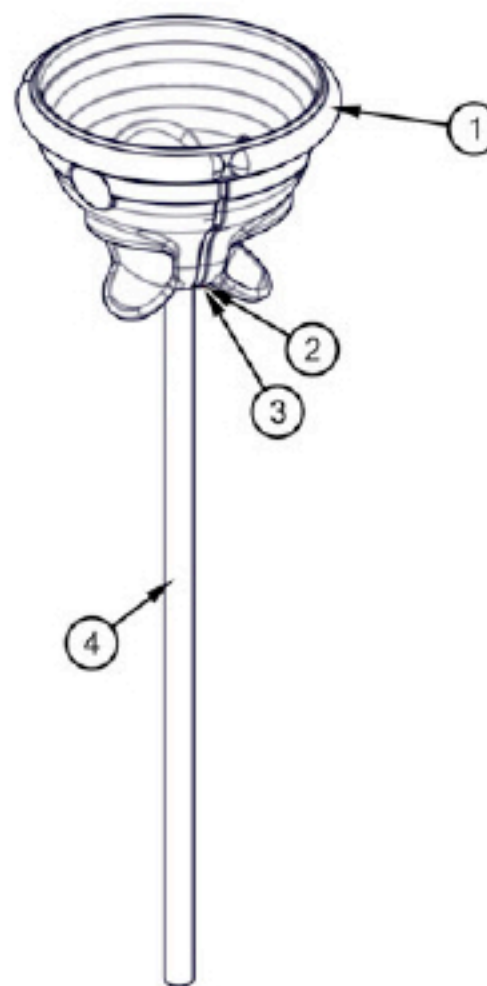
INSTALLATION TIME: 1 Hour

WEIGHT: 79 lbs.

CONCRETE REQUIRED: (2.2) 80lb. bags - 1.3 ft³

NOTE: Concrete must have a minimum rating of 2,500 psi and must be mixed per manufacturer's recommendations.

ITEM	Part No.	QTY	DESCRIPTION
1	TRT-03	1	RotoMolded Triple Toss Plastic
2	HWS0306	3	Screw 1/4"-20 x 2" SS TORX Self Tapping w/Patch SS
3	HWR0114	3	Washer 5/16" ID x 3/4" OD x .05" thick Flat 300 SER
4	61415	1	Triple Toss 3 1/2" Galv 108" Post
5	HWM0129	1	Driver bit T-30 TORX SECURITY w/BARREL HOOD 2



PRE-INSTALLATION CHECK:

Customer is responsible for verifying materials received by comparing received items with packing list. If any parts are missing or damaged, contact your local sales representative immediately.

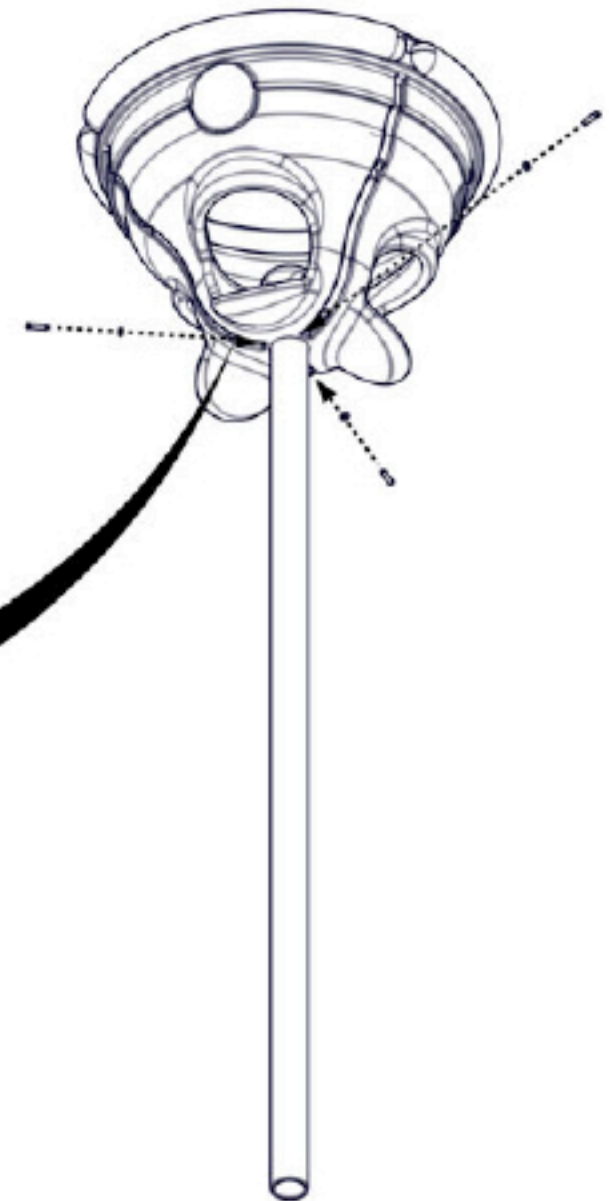
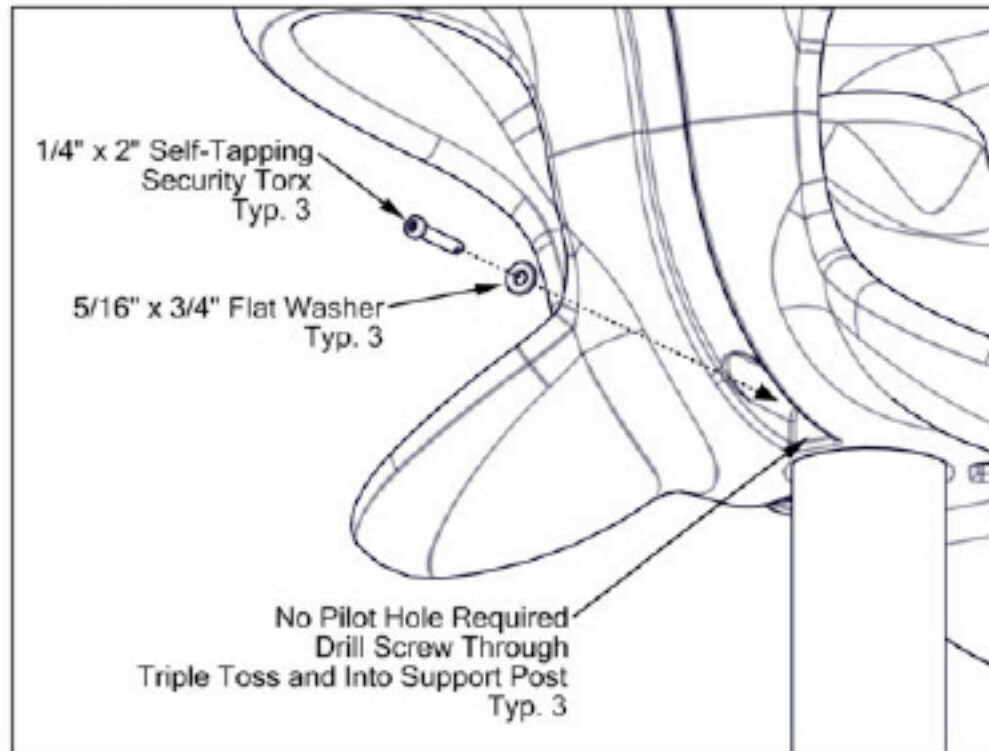
Supplier is not responsible for items discovered missing after 72 hours from time of delivery.

Before beginning installation, all installers must read and understand the Installation Introduction manual as supplied. If you did not receive a copy, or if you have any questions regarding any information in the Installation Instructions or this Installation Guideline, contact your local sales representative.

STEP 1

Mount molded triple toss on top of support post. Insert support post into bottom of molded triple toss. End of support post should be flush against bottom of triple toss. Ensure triple toss is square with support post. Place one (1) 5/16" x 3/4" flat washer onto one (1) 1/4" x 2" self-tapping security Torx and secure through triple toss into support post. Pilot holes are not required. See Detail 1-1. Repeat for two (2) additional connections.

Detail 1-1



STEP 2

Set support post. Refer to the site plan drawing and site elevation drawing for placement of all support posts. Installer is responsible for proper location of all support posts. Footing hole for support post must be 12" diameter and 24" deep plus 12" surfacing. If surfacing is less than 12", adjust footing hole depth as needed. Place one block (not included) into bottom of footing hole. Place support post into footing hole and plumb. Fill footing hole with concrete to within 3" from ground surface. Allow concrete to cure based upon manufacturer's instructions. Backfill footing hole with dirt, flush with grade. See Detail 2-1. Check all connections and ensure structure is stable. All concrete must be fully cured before use of structure. Installation is complete. Place one (1) Age Appropriate Sticker on structure in a clearly visible location.

Detail 2-1

